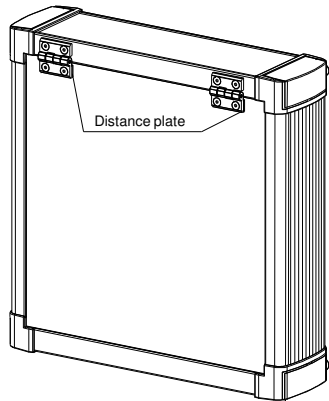
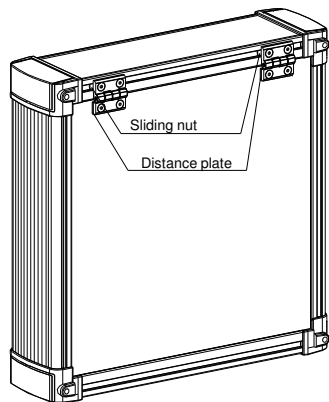
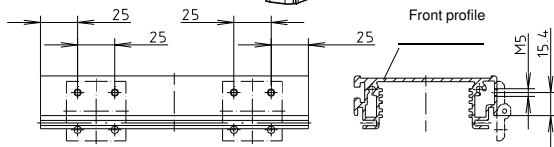




**Front panel hinged on front profile**



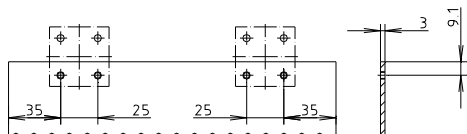
Hinged on front:  
Set of hinges AP 10 SC1  
Order no.: 64360110



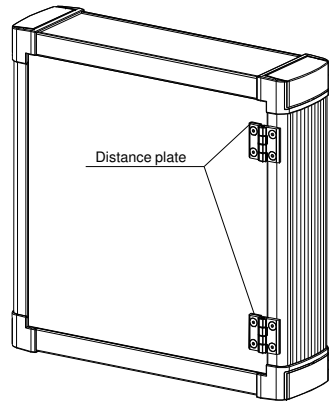
If fitted to the back of the front profile, no processing of the profiles is needed.

Hinged on back:  
Set of hinges AP 10 SC2  
Order no.: 64360120

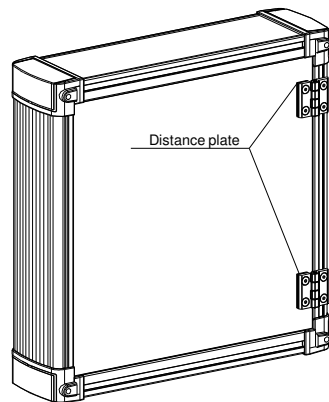
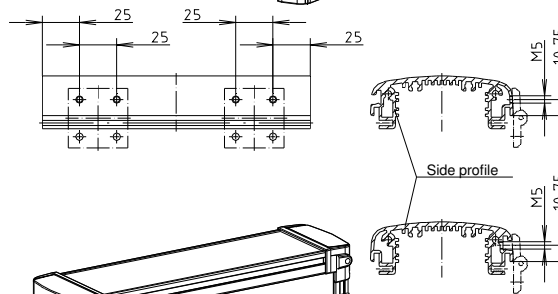
**Processing of front panel - front profile assembly**



**Front panel hinged on side profile**

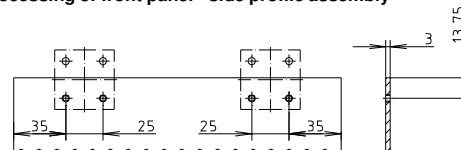


Hinged on front:  
Set of hinges AP 10 SC3  
Order no.: 64360130

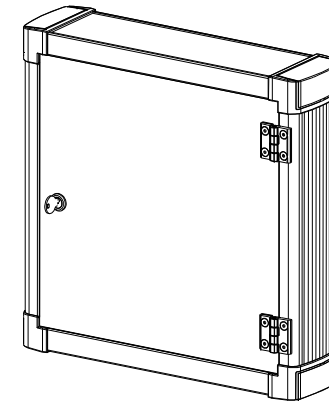


Hinged on back:  
Set of hinges AP 10 SC4  
Order no.: 64360140

**Processing of front panel - side profile assembly**

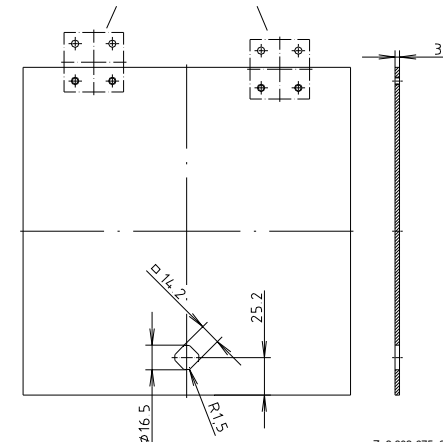


**Front panel hinged with fitted lock**



Lock set AP 10 SHLO:  
Order no.: 64360050

**Processing for hinge assembly on the front or the side profile**



Z. 2 802 675, 3K 5285.093.01

**General information:**

- To prevent the front panels from rattling on the profile, apply sealing tape AP FAS-IP (order no.: 64360040) to the front panel.
- Ingress protection category IP 65 can only be achieved by using the screw-on front panel AP 10...FAS3-IP.
- If a lock is fitted, only ingress protection category IP 40 is achieved.

**BOPLA Gehäuse Systeme GmbH**  
Borsigstr. 17-25  
D-32257 Bünde

Tel.: 05223/969-0  
Fax: 05223/969-100  
www.bopla.de